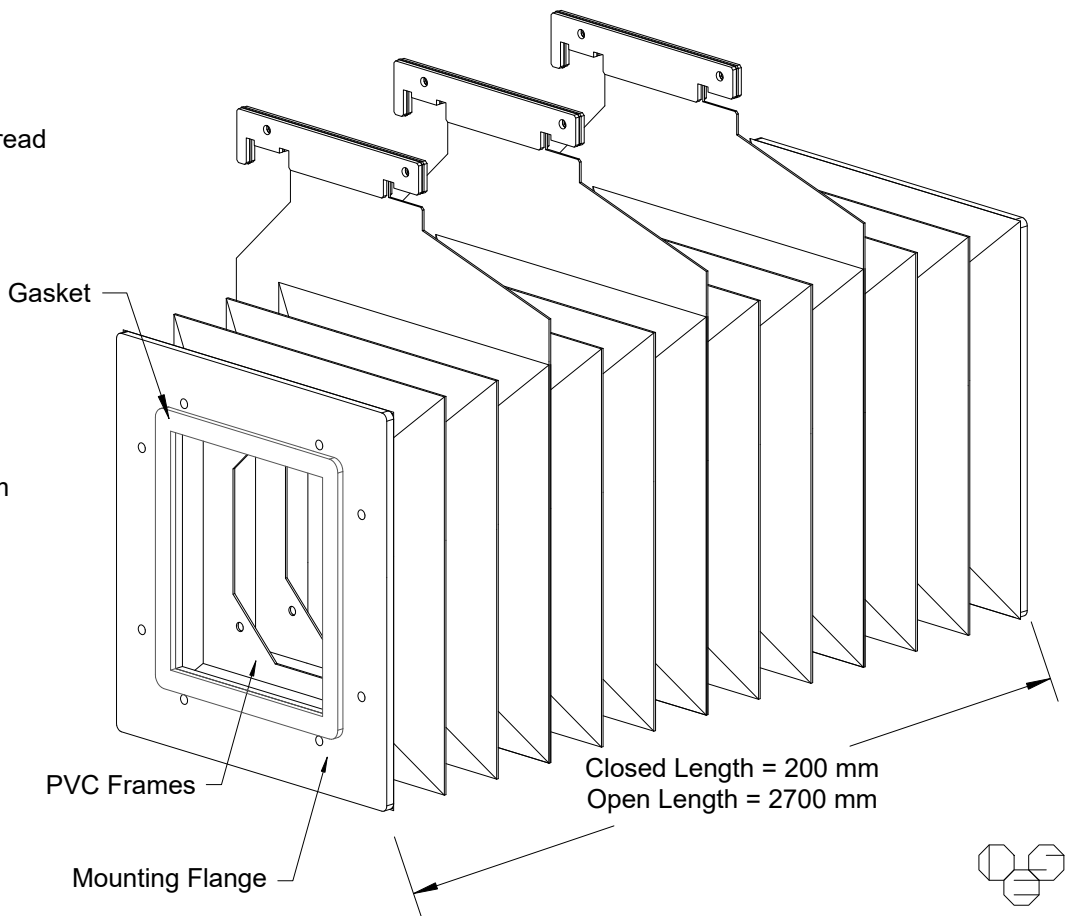
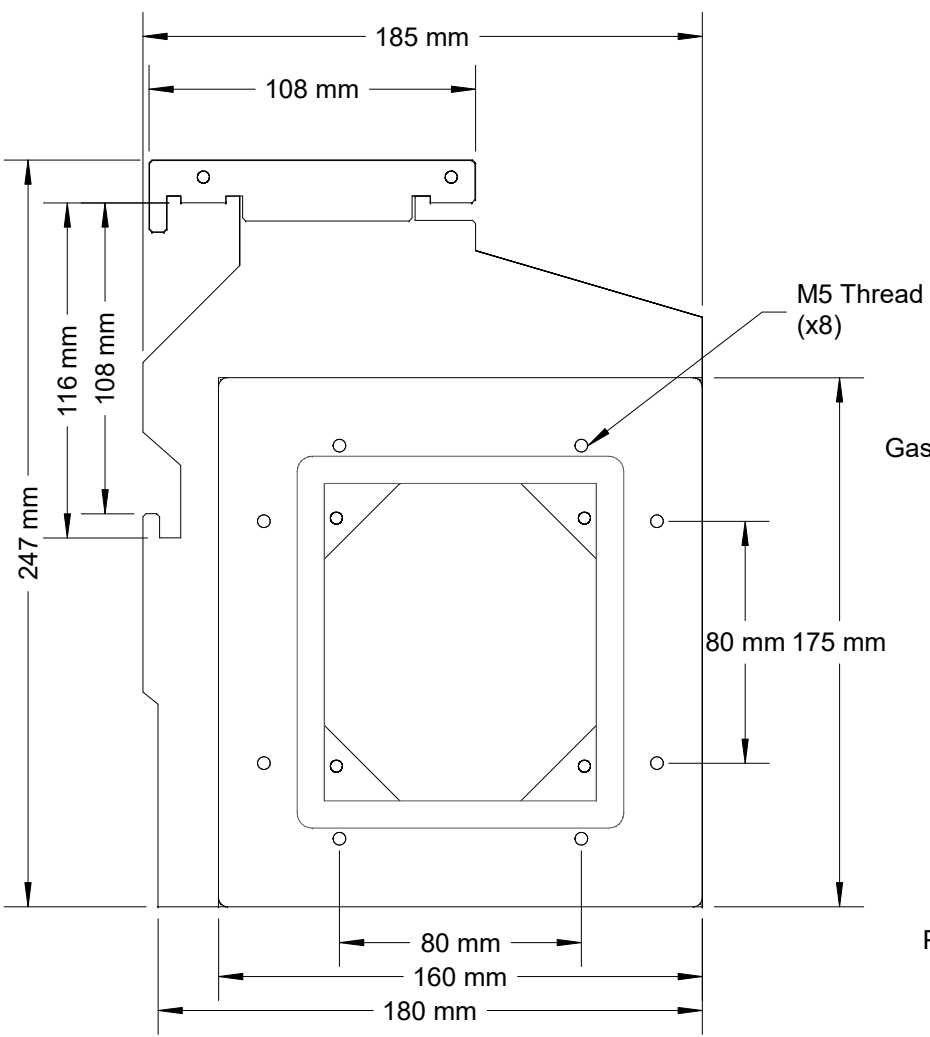


No. RBT331/2525BY  
 SUPSDS.

NO.	DESCRIPTION OF CHANGE	SCO	DATE	BY
0	NEW ISSUE		03/19/18	DSE
1	Added dims to the side slot.		06/16/20	DSE



TOLERANCES UNLESS OTHERWISE SPECIFIED		
FRACTIONS ±1/64	DECIMALS: .X ±.1 .XXX ±.005	
ANGLES ±1/2°	.XX ±.01 .XXXX ±.001	
DO NOT SCALE DRAWING		
DRAWN	DSE	SCALE NTS
ENG. MGR.		ENG. CHKD.
ENG. MGR.		PRODN. APPD.
MAT'L		
MAT'L. SPEC. NO.		
FINISH		PROD.

THIS DOCUMENT IS THE PROPERTY OF RICHARDSON ELECTRONICS, LTD. AND SHALL NOT BE COPIED, REPRODUCED, USED IN THE MANUFACTURE OR SALE OF APPARATUS OR DISCLOSED TO OTHERS WITHOUT PERMISSION.

Richardson Electronics, Ltd.

**Y BEAM BELLOW  
 REPLACES TRUMPF'S  
 P/Ns 0352335 & 2334585**

NO. RBT331/2525BY REV. 1